



LIGHTING
CONSTRUCTION MANUAL



BULKHEAD LUMINAIRES

[Back to MAIN INDEX](#)

[Go to SECTION INDEX](#)

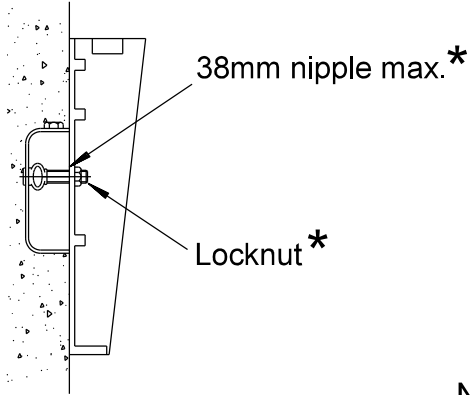
TYPE	DESCRIPTION	PAGE
	Bulkhead Luminaires For Connection Under Rate 2 S150 Special	1-11-3-1
	Bulkhead Luminaires For Connection Under Rate 2 S70 & 32W CF - Round	1-11-4-1

TYPE	DESCRIPTION	PAGE

A	ORIGINAL ISSUE	REFERENCE DRAWING ENERGEX	 <small>© COPYRIGHT 2002 ENERGEX ENERGEX Corporation Limited ABN 40 078 849 055</small>	 <small>© COPYRIGHT 2002 ERGON ENERGY Ergon Energy Corporation Limited ABN 50 087 646 062</small>	Approved Ergon	Date	LIGHTING BULKHEAD LUMINAIRES INDEX - ENERGEX ONLY				
B	10.12.12	REFERENCE DRAWING ERGON			Approved Energex	Date					
C	08.01.14				Checked	Date					
		This document must not be reproduced in part or whole without written permission from ENERGEX or Ergon Energy	HARD COPY UNCONTROLLED		Drawn	Date	EE DRWG NO: 1-11-1-1	VOLUME	FOLDER	PAGE	ISSUE
					L. Burton / T. Borg	01/11/10	EGX DRWG NO: 10500-A4-1-11-1-1	1	11	1-1	0C

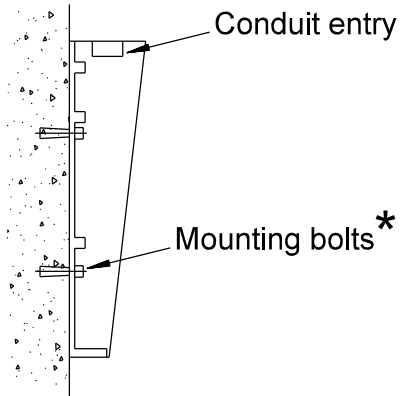
MATERIAL - LUMINAIRE

ASSY	DESCRIPTION	QTY
899-1	Special bulkhead luminaire S150	1

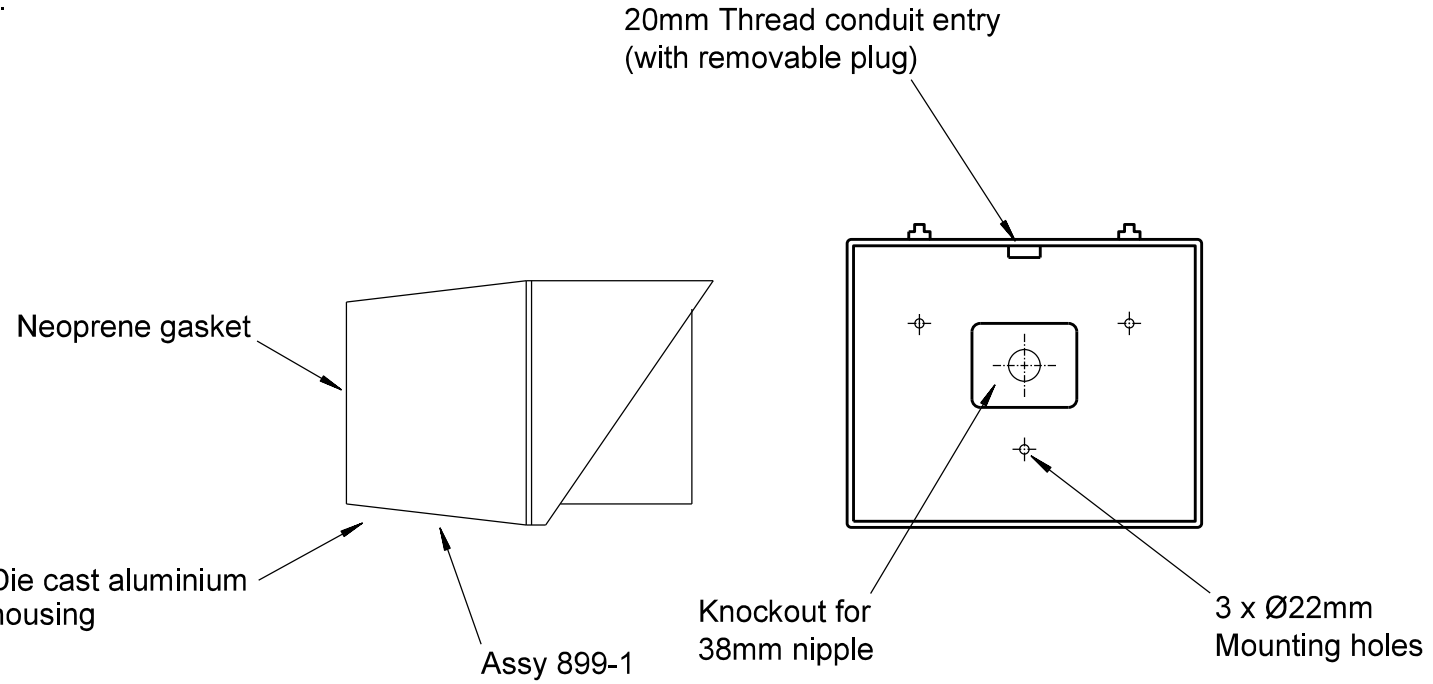


**MOUNTED ON FLUSH
OUTLET BOX STUD**



* Not supplied with luminaire



**MOUNTED FOR
SURFACE WIRING**

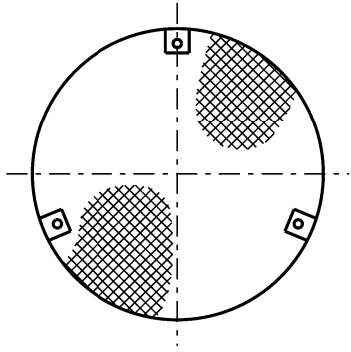
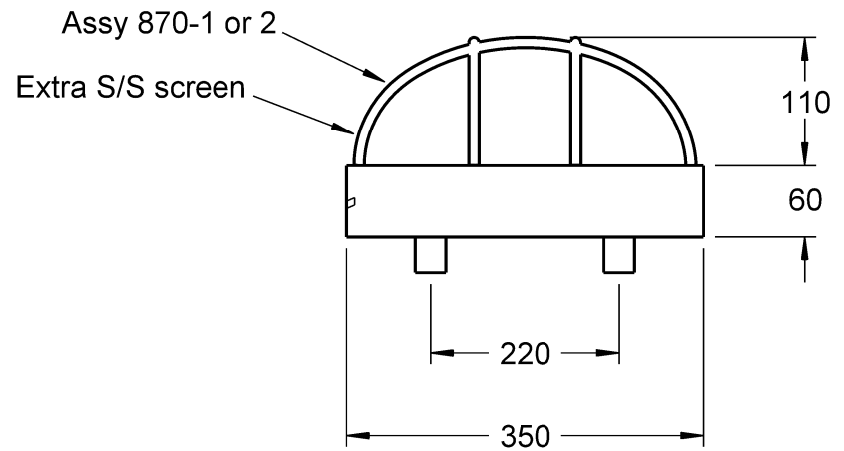


**BULKHEAD LUMINAIRE
150W HPS**

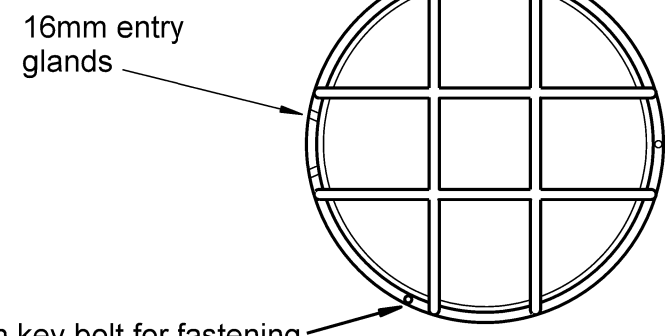
A	ORIGINAL ISSUE	REFERENCE DRAWING ENERGEX 4927-A4-2.45	 © COPYRIGHT 2002 ENERGEX ENERGEX Corporation Limited ABN 40 078 849 055	 © COPYRIGHT 2002 ERGON ENERGY Ergon Energy Corporation Limited ABN 50 087 646 062	Approved Ergon C. Noel 24/04/13	<p>LIGHTING BULKHEAD LUMINAIRES - ENERGEX ONLY FOR CONNECTION UNDER RATE 2 150W HPS RECTANGULAR</p>	<table border="1"> <tr> <th>VOLUME</th> <th>FOLDER</th> <th>PAGE</th> <th>ISSUE</th> </tr> <tr> <td>1</td> <td>11</td> <td>3-1</td> <td>0B</td> </tr> </table>	VOLUME	FOLDER	PAGE	ISSUE	1	11	3-1	0B
VOLUME	FOLDER	PAGE			ISSUE										
1	11	3-1	0B												
B	15.01.13	REFERENCE DRAWING ERGON NIL	Checked P. Relf / A. Bletchly 04/04/13		Approved Energex F. Zaini 24/04/13										
This document must not be reproduced in part or whole without written permission from ENERGEX or Ergon Energy		Drawn L. Burton / T. Borg 14/10/10		EE DRWG NO: 1-11-3-1 EGX DRWG NO: 10500-A4-1-11-3-1											
HARD COPY UNCONTROLLED															

MATERIAL - LUMINAIRE

ASSY	DESCRIPTION	QTY
870-1	Special bulkhead luminaire S70	1
870-2	Special bulkhead luminaire CF32	





STAINLESS STEEL SCREEN
FITTED AS STANDARD



Allen key bolt for fastening
diffuser grill & S/S screen
to base

BULKHEAD LUMINAIRE
70W HPS & 32W CF

A	ORIGINAL ISSUE	REFERENCE DRAWING ENERGEX			Approved Ergon	Date	LIGHTING BULKHEAD LUMINAIRES - ENERGEX ONLY FOR CONNECTION UNDER RATE 2 70W HPS & 32W CF - ROUND	EE DRWG NO: 1-11-4-1	VOLUME	FOLDER	PAGE	ISSUE				
	B	15.01.13			4927-A4-2.45	Approved Energex							Date			
		REFERENCE DRAWING ERGON	© COPYRIGHT 2002 ENERGEX ENERGEX Corporation Limited ABN 40 078 849 055		© COPYRIGHT 2002 ERGON ENERGY Ergon Energy Corporation Limited ABN 50 087 646 062											
		NIL	HARD COPY UNCONTROLLED		Checked	Date										
		This document must not be reproduced in part or whole without written permission from ENERGEX or Ergon Energy			P. Relf / A. Bletchly	21/03/14										
					Drawn	Date	EGX DRWG NO: 10500-A4-1-11-4-1		1	11	4-1	0B				
					L. Burton / T. Borg	01/10/10										