





LIGHTING  
CONSTRUCTION MANUAL

## BULKHEAD LUMINAIRES

[Back to MAIN INDEX](#)

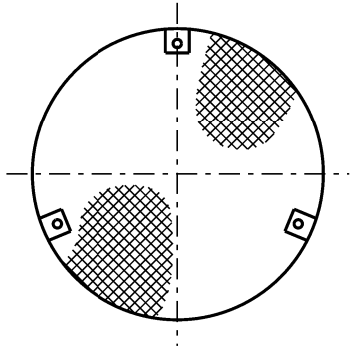
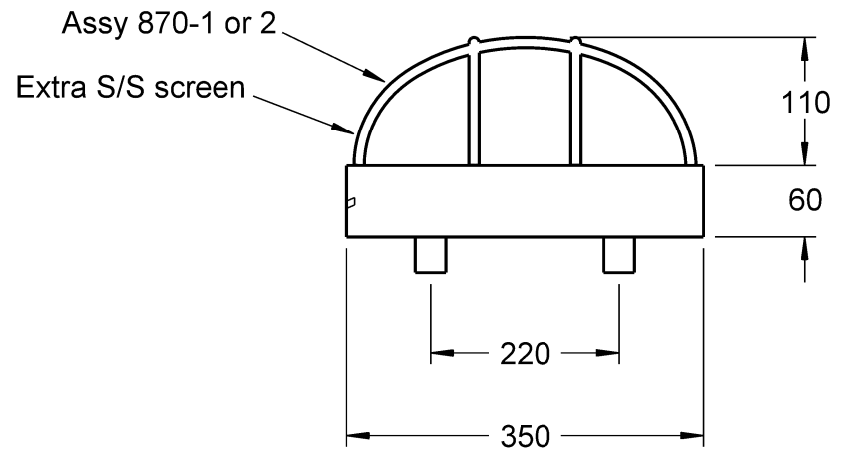
[Go to SECTION INDEX](#)

TYPE	DESCRIPTION	PAGE	TYPE	DESCRIPTION	PAGE
	Bulkhead Luminaires For Connection Under Rate 2 S70 & 32W CF - Round	1-11-4-1			

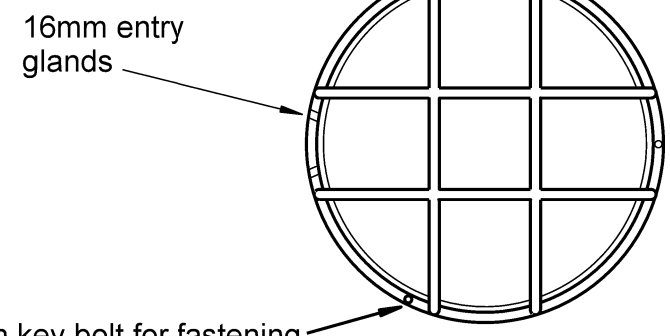
A	ORIGINAL ISSUE	REFERENCE DRAWING ENERGEX	 <small>© COPYRIGHT 2020 ENERGEX ENERGEX Corporation Limited ABN 40 078 849 055</small>	 <small>© COPYRIGHT 2020 ERGON ENERGY Ergon Energy Corporation Limited ABN 50 087 646 062</small>	Approved Ergon	Date	<b>LIGHTING</b>  <b>BULKHEAD LUMINAIRES INDEX - ENERGEX ONLY</b>	<table border="1"> <tr> <td>EE DRWG NO: 1-11-1-1</td> <td>VOLUME</td> <td>FOLDER</td> <td>PAGE</td> <td>ISSUE</td> </tr> <tr> <td>EGX DRWG NO: 10500-A4-1-11-1-1</td> <td>1</td> <td>11</td> <td>1-1</td> <td>0D</td> </tr> </table>	EE DRWG NO: 1-11-1-1	VOLUME	FOLDER	PAGE	ISSUE	EGX DRWG NO: 10500-A4-1-11-1-1	1	11	1-1	0D
EE DRWG NO: 1-11-1-1	VOLUME	FOLDER			PAGE	ISSUE												
EGX DRWG NO: 10500-A4-1-11-1-1	1	11			1-1	0D												
B	10.12.12	REFERENCE DRAWING ERGON			Approved Energex	Date												
C	08.01.14		Checked	Date														
D	29.09.20		Drawn	Date														
		This document must not be reproduced in part or whole without written permission from ENERGEX or Ergon Energy	<b>HARD COPY UNCONTROLLED</b>		L. Burton / T. Borg	01/11/10												

**MATERIAL - LUMINAIRE**



ASSY	DESCRIPTION	QTY
870-1	Special bulkhead luminaire S70	1
870-2	Special bulkhead luminaire CF32	



STAINLESS STEEL SCREEN  
FITTED AS STANDARD



BULKHEAD LUMINAIRE  
70W HPS & 32W CF

A	ORIGINAL ISSUE	REFERENCE DRAWING ENERGEX	 © COPYRIGHT 2002 ENERGEX ENERGEX Corporation Limited ABN 40 078 849 055	 © COPYRIGHT 2002 ERGON ENERGY Ergon Energy Corporation Limited ABN 50 087 646 062	Approved Ergon C. Noel 21/03/14 Approved Energex F. Zaini 21/03/14 Checked P. Relf / A. Bletchly 21/03/14 Drawn L. Burton / T. Borg 01/10/10	<b>LIGHTING</b> BULKHEAD LUMINAIRES - ENERGEX ONLY FOR CONNECTION UNDER RATE 2 70W HPS & 32W CF - ROUND	EE DRWG NO: 1-11-4-1	VOLUME	FOLDER	PAGE	ISSUE
	B	15.01.13									
This document must not be reproduced in part or whole without written permission from ENERGEX or Ergon Energy											
HARD COPY UNCONTROLLED											
EGX DRWG NO: 10500-A4-1-11-4-1								1	11	4-1	0B