



OVERHEAD SUB-TRANSMISSION
CONSTRUCTION MANUAL

CABLE TERMINATION
CONSTRUCTIONS

CONSTRUCTION	DESCRIPTION	DWG No.	CONSTRUCTION	DESCRIPTION	DWG No.
66KV SINGLE CIRCUIT CABLE TERMINATION CONSTRUCTIONS					
	Cable Termination Construction Code Guide	5-13-2-1			
C6CTSH	21m x 40kN Horizontal Cable Termination Pole - Material List	5-13-3-1			
C6CTSH	21m x 40kN Horizontal Cable Termination Pole - Construction	5-13-3-2			
C6CTSV	21m x 40kN Vertical Cable Termination Pole - Material List	5-13-4-1			
C6CTSV	21m x 40kN Vertical Cable Termination Pole - Construction	5-13-4-2			

HARD COPY
UNCONTROLLED



Ergon Energy Corporation Ltd
ABN 50 087 646 062

Approved
P DE SOUSA ROQUE

Date
6/09/2013

Checked
R MARGANI

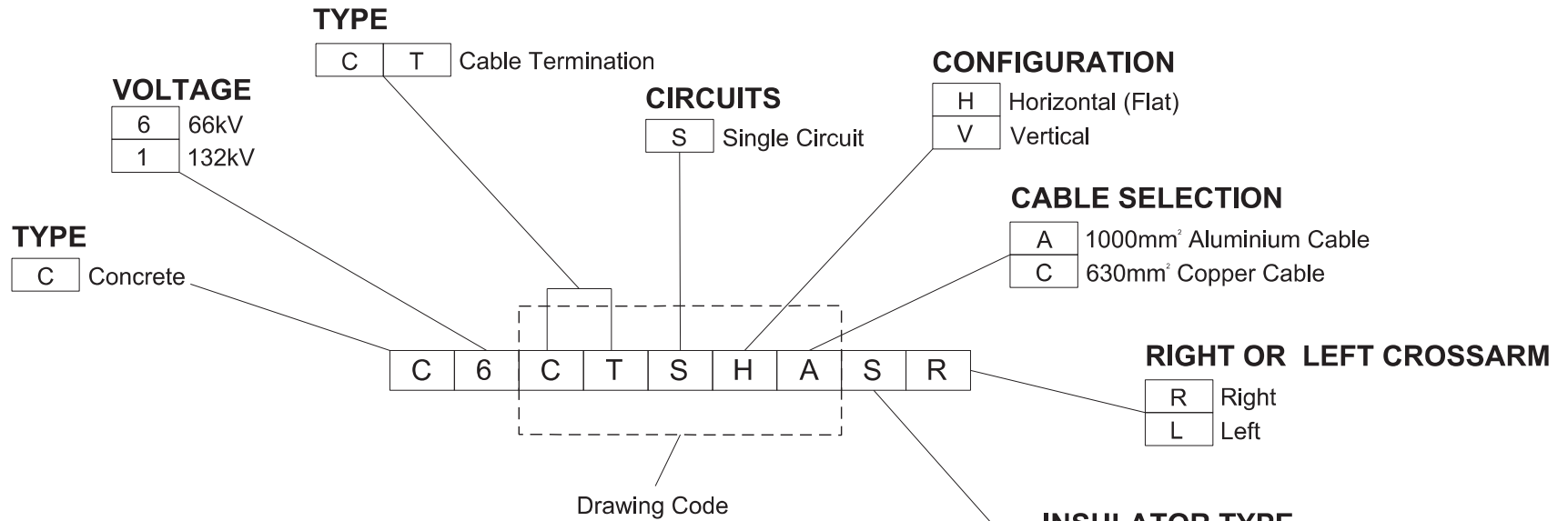
Drawn
L OTTAWAY

OVERHEAD SUB-TRANSMISSION
CABLE TERMINATION CONSTRUCTION
INDEX

DRAWING NUMBER: 5-13-1-1

VOLUME	FOLDER	PAGE	ISSUE
5	13	1-1	0A

SUPERSEDES:



FULL STRUCTURE LIST
Single Circuit

C	T	S	H	A	Horizontal Cable Termination with 1000mm ² Aluminium Cable
C	T	S	H	C	Horizontal Cable Termination with 630mm ² Copper Cable
C	T	S	V	A	Vertical Cable Termination with 1000mm ² Aluminium Cable
C	T	S	V	C	Vertical Cable Termination with 630mm ² Copper Cable

INSULATOR TYPE

S	Normal Insulator
Z	Fog Insulator
C	Composite Insulator

HARD COPY
UNCONTROLLED



Ergon Energy Corporation Ltd
ABN 50 087 646 062

Approved
C NOEL

Date
25/09/2013

Checked
R MARGANI

Drawn
A JONES

**OVERHEAD SUB-TRANSMISSION
CABLE TERMINATION CONSTRUCTIONS
SINGLE CIRCUIT CABLE TERMINATION
CONSTRUCTION CODE GUIDE**

DRAWING NUMBER: 5-13-2-1	VOLUME	FOLDER	PAGE	ISSUE
	5	13	2-1	0A

SUPERSEDES:

MATERIAL - 66kV HORIZONTAL CABLE TERMINATION

ASSY	DESCRIPTION	C6CTSHCS	C6CTSHCZ	C6CTSHCC	C6CTSHAS	C6CTSHAZ	C6CTSHAC
1005-1	Stay Bracket, Backing Plate & Eyunut	1	1	1	1	1	1
1006-1	Earthing connection to OHEW	1	1	1	1	1	1
1030-5	Insulator Composite Longrod with double extension link			3			3
1031-3	M20 Earthed Eyebolt to Pole	1	1	1	1	1	1
1059-1	Fog Insulator Termination with extension link		3			3	
1061-1	Normal Insulator Termination with extension link	3			3		
1071-2	Stay Bracket & backing Plate (450)	1	1	1	1	1	1
1097-1	21m x 40kN Horizontal Cable Termination Pole	1	1	1	1	1	1
1176-1	66kV Horizontal Cable Termination Support Steelwork	1	1	1	1	1	1
1177-1	66kV Steel Crossarm	1	1	1	1	1	1
1183-2	66kV Surge Arrestor and Bracket (450)	1	1	1	1	1	1

Note: Cable constructions and foundation constructions not included in the above.

HARD COPY
UNCONTROLLED



Ergon Energy Corporation Ltd
ABN 50 087 646 062

Approved C NOEL
Date 25/09/2013
Checked R MARGANI
Drawn A JONES

**OVERHEAD SUB-TRANSMISSION
CABLE TERMINATION CONSTRUCTIONS
HORIZONTAL CABLE TERMINATION
MATERIAL LIST 21m x 40kN POLE**

DRAWING NUMBER: 5-13-3-1	VOLUME	FOLDER	PAGE	ISSUE
	5	13	3-1	0A

SUPERSEDES:

Refer to conductor hardware folder for earthwire & vibration damper constructions

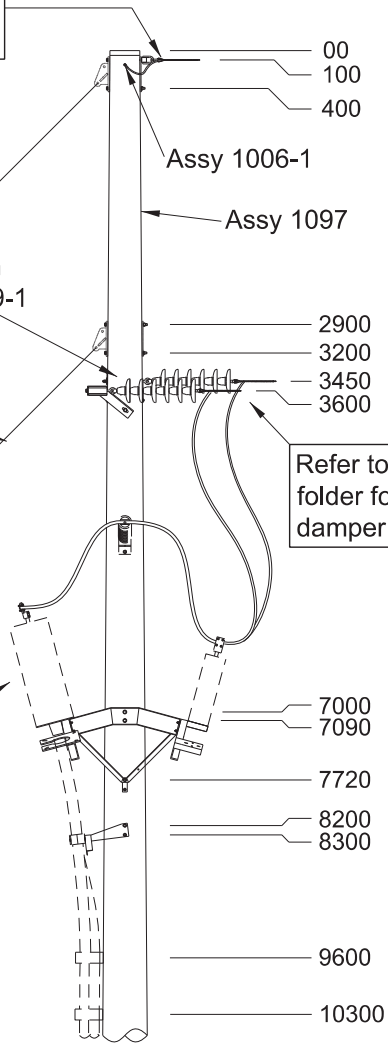
Notes:

1. Refer to foundations folder for pole foundation constructions.
2. Refer to earthing folder for pole earthing constructions
3. Crossarm load difference to be less than 13kN in broken wire condition, stringing operations and maintenance.

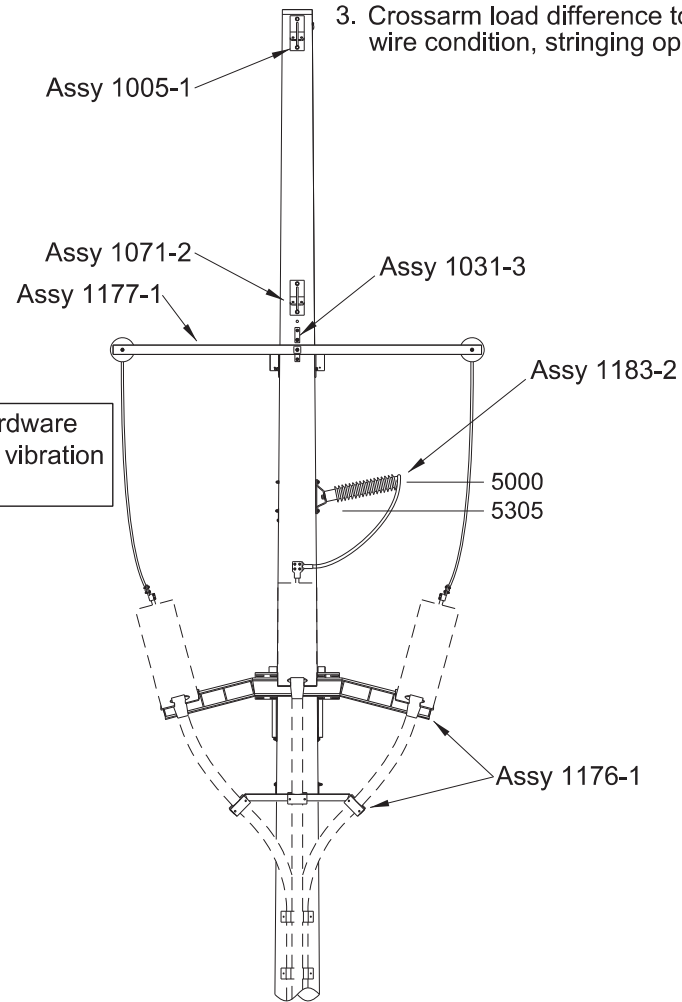
Assy Selection
1061-1 or 1059-1
or 1030-5

Refer to stay construction folder for staying arrangements

Refer to Underground Construction Manual for cable termination and arrester arrangement details



Refer to conductor hardware folder for conductor & vibration damper constructions



Construction Code

C6CTSHAC
C6CTSHAZ
C6CTSHAS
C6CTSHCC
C6CTSHCZ
C6CTSHCS

HARD COPY
UNCONTROLLED



Ergon Energy Corporation Ltd
ABN 50 087 646 062

Approved
C NOEL

Date
7/11/2013

Checked
P DE SOUSA ROQUE

Drawn
A JONES

**OVERHEAD SUB-TRANSMISSION
CABLE TERMINATION CONSTRUCTIONS
HORIZONTAL CABLE TERMINATION
CONSTRUCTION**

DRAWING NUMBER: 5-13-3-2

VOLUME	FOLDER	PAGE	ISSUE
5	13	3-2	0B

SUPERSEDES:

MATERIAL - 66kV VERTICAL CABLE TERMINATION

ASSY	DESCRIPTION	C6CTSVCSR	C6CTSVCSL	C6CTSVCZR	C6CTSVCZL	C6CTSVCCR	C6CTSVCCCL	C6CTSVASR	C6CTSVASL	C6CTSVAZR	C6CTSVAZL	C6CTSVACR	C6CTSVACL
1005-1	Stay Bracket, Backing Plate & Eyunut	1	1	1	1	1	1	1	1	1	1	1	1
1006-1	Earthing connection to OHEW	1	1	1	1	1	1	1	1	1	1	1	1
1030-5	Insulator Composite Longrod with double extension link					3	3					3	3
1031-1	M20 Earthed Eyebolt to Pole (425)	1	1	1	1	1	1	1	1	1	1	1	1
1031-3	M20 Earthed Eyebolt to Pole (450)	1	1	1	1	1	1	1	1	1	1	1	1
1031-5	M20 Earthed Eyebolt to Pole (500)	1	1	1	1	1	1	1	1	1	1	1	1
1059-1	Fog Insulator Termination with extension link			3	3					3	3		
1061-1	Normal Insulator Termination with extension link	3	3					3	3				
1071-3	Stay Bracket & backing Plate (500)	1	1	1	1	1	1	1	1	1	1	1	1
1098-1	21m x 40kN Vertical Cable Termination Pole	1	1	1	1	1	1	1	1	1	1	1	1
1181-1	66kV Vertical Cable Termination Crossarm - Left		1		1		1		1		1		1
1181-2	66kV Vertical Cable Termination Crossarm - Left		2		2		2		2		2		2
1182-1	66kV Vertical Cable Termination Crossarm - Right	1		1		1		1		1		1	
1182-2	66kV Vertical Cable Termination Crossarm - Right	2		2		2		2		2		2	

Note: Cable constructions and foundation constructions not included in the above.

HARD COPY
UNCONTROLLED



Ergon Energy Corporation Ltd
ABN 50 087 646 062

Approved
C NOEL

Date
25/09/2013

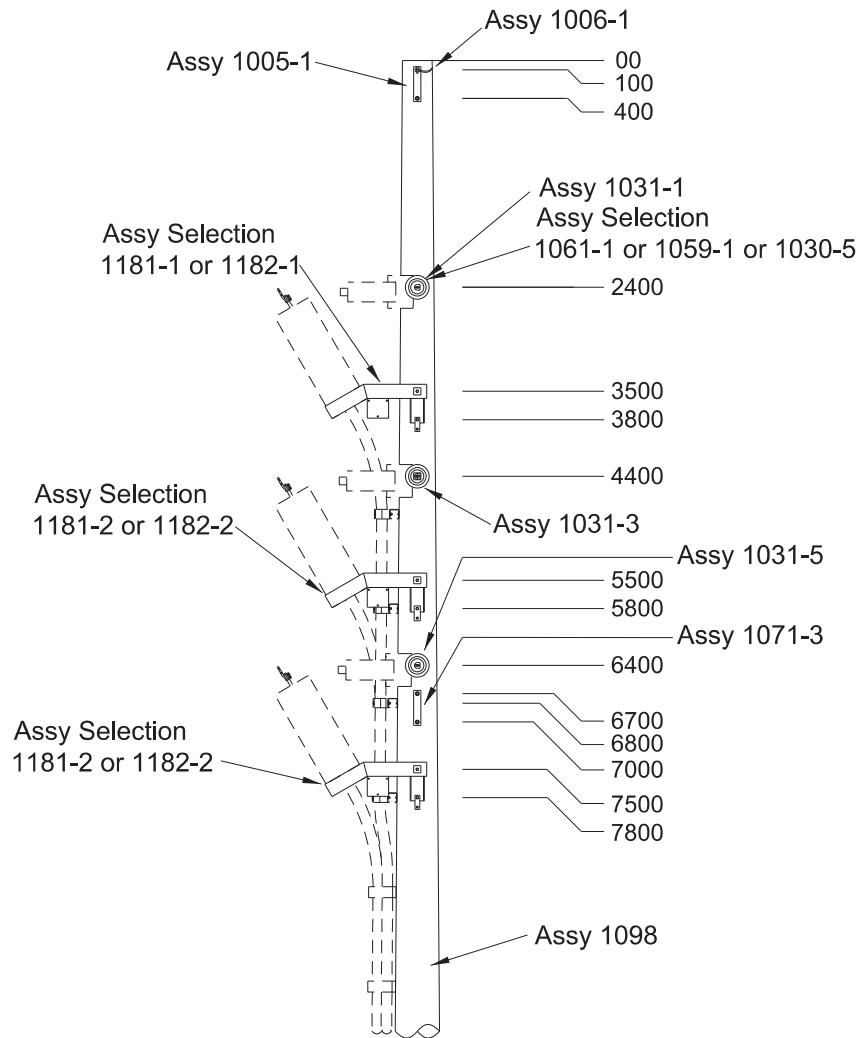
Checked
R MARGANI

Drawn
A JONES

OVERHEAD SUB-TRANSMISSION
CABLE TERMINATION CONSTRUCTIONS
VERTICAL CABLE TERMINATION
MATERIAL LIST 21 x 40kN POLE

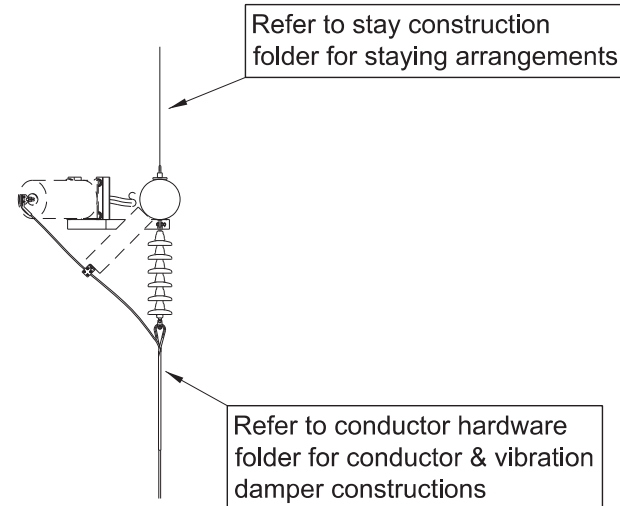
DRAWING NUMBER: 5-13-4-1	VOLUME	FOLDER	PAGE	ISSUE
	5	13	4-1	0A

SUPERSEDES:



Notes:

1. Refer Underground Construction Manual for cable and cable terminations
2. Refer to foundations folder for pole foundation constructions
3. Refer to earthing folder for pole earthing constructions



Construction Code

- C6CTSVACL
- C6CTSVACR
- C6CTSVAZL
- C6CTSVAZR
- C6CTSVASL
- C6CTSVASR
- C6CTSVACL
- C6CTSVCCR
- C6CTSVCZL
- C6CTSVCZR
- C6CTSVCSL
- C6CTSVCSR

HARD COPY
UNCONTROLLED



Ergon Energy Corporation Ltd
ABN 50 087 646 062

Approved
C NOEL

Date
7/11/2013

Checked
P DE SOUSA ROQUE

Drawn
A JONES

**OVERHEAD SUB-TRANSMISSION
CABLE TERMINATION CONSTRUCTIONS
VERTICAL CABLE TERMINATION
CONSTRUCTION**

DRAWING NUMBER: 5-13-4-2

VOLUME	FOLDER	PAGE	ISSUE
5	13	4-2	0B

SUPERSEDES: